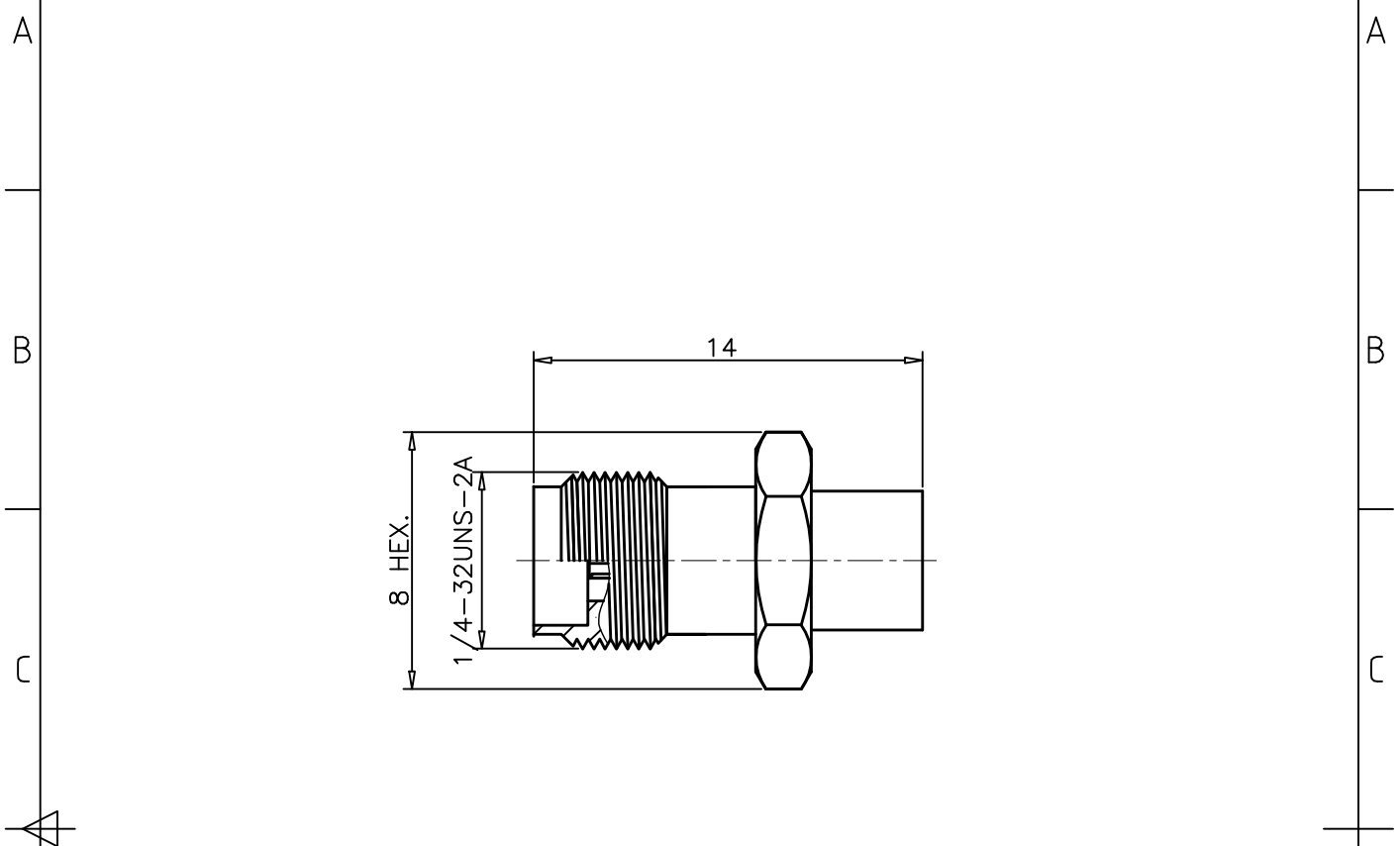


| 1     | 2             | 3      | 4         |         |
|-------|---------------|--------|-----------|---------|
| RevNo | Revision note | Date   | Signature | Checked |
| 00    | Sketch Only   | 5/9/14 | Teresa    | Simon   |



Interface Per: MIL-PRF-39012 , MIL-STD-348  
 Material & Finishing:  
 1. Center condutor: Beryllium, Gold Plating  
 2. Insulators: PEI or PEEK  
 3. Body : Brass, Gold Plating

RoHS Compliant.

ALL DIMENSIONS ARE IN MILLIMETERS AND [INCHES]

KERUI ELECTRONIC CO;LTD

Title  
 2.92 female solder for .85

THESE DRAWING & SPEC. ARE THE PROPERTY OF KERUI ELECTRONIC CO;LTD AND SHALL NOT BE REPRODUCED, OR COPIED OR USED AS THE BASIS FOR THE MANUFACTURE OR SALE OF APPARATUS OR DEVICES WITHOUT THEIR EXPRESS WRITTEN CONSENT.

UNLESS OTHERWISE NOTED ALL SURFACES FINISHED TO 64/MAX.  
 ALL TOLERANCES ARE:  
 DECIMALS FRACTIONS ANGLES  
 x ± 1.0 ±1/64 x' ± 1°  
 x.x ± 0.5 x'x' ± 0.5°  
 x.xx ± 0.1

|                    |                 |                    |                  |
|--------------------|-----------------|--------------------|------------------|
| Drawn by<br>Teresa | Ckd by<br>Simon | Appd by<br>Richard | Date<br>5/9/2014 |
| Scale<br>4:1       | Sheet 1 of 1    | 19 1121 329 01     |                  |